

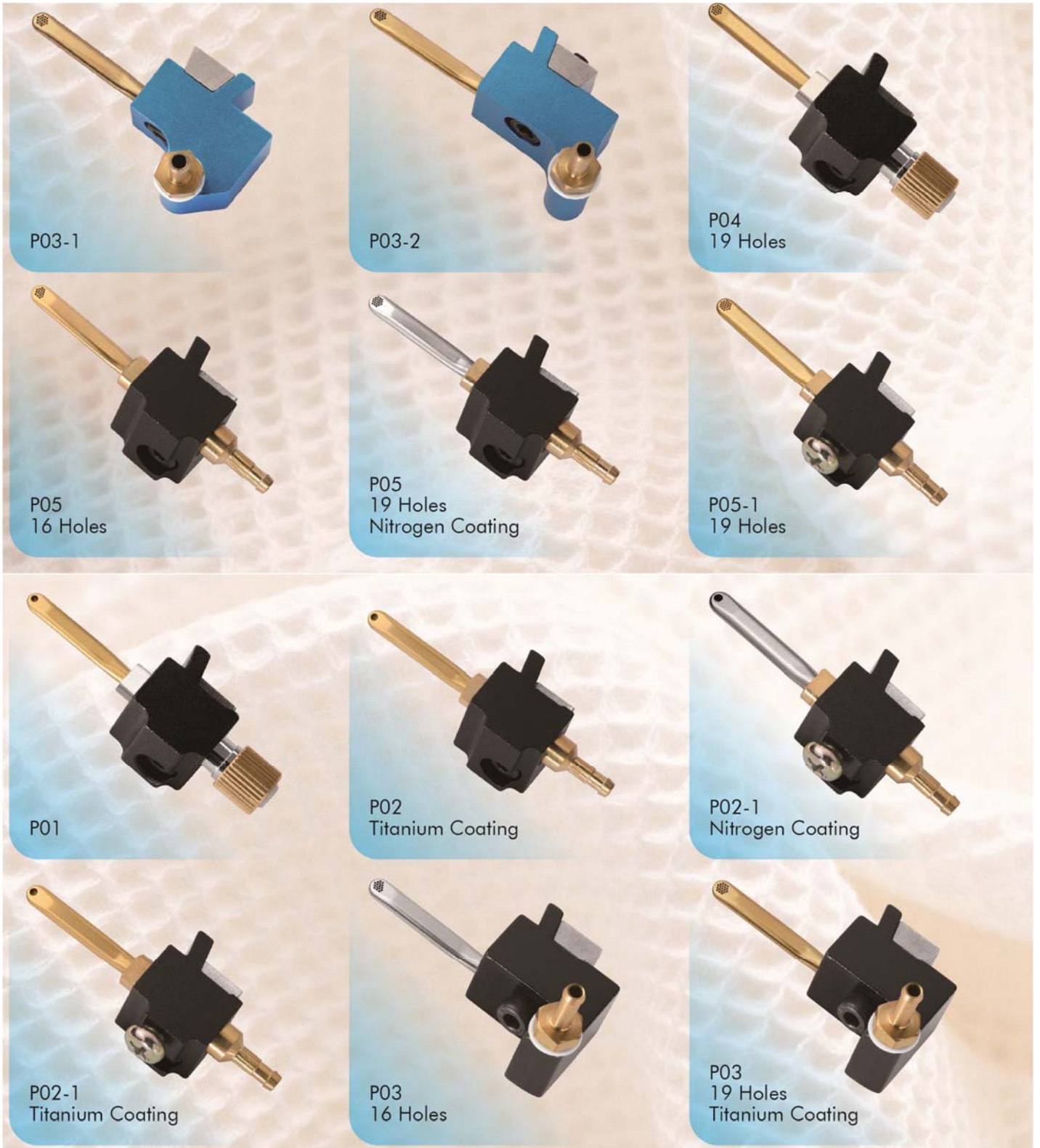
# Toberas y Subtoberas para Telares Pneumáticos e Hidráulicos

## **MATEUEXPORT S.L.**

C/ Bruc, 9 – 08241 MANRESA

Tel. +34938771199 – FAX: +34938771714

E-mail: [mateuexport@hotmail.com](mailto:mateuexport@hotmail.com) – [info@novateksilar.com](mailto:info@novateksilar.com)



## Mateu Export S.L.

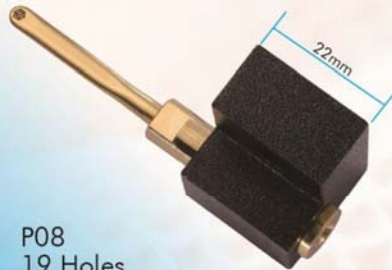
C/ Bruc, 9 – 08241 MANRESA

Tel. +34938771199 – FAX: +34938771714

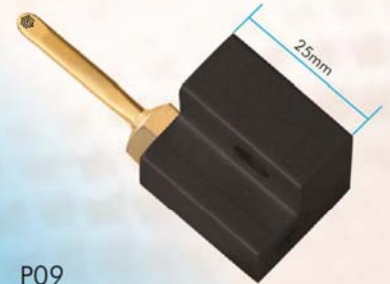
E-mail: [mateuexport@hotmail.com](mailto:mateuexport@hotmail.com) – [info@novateksilar.com](mailto:info@novateksilar.com)



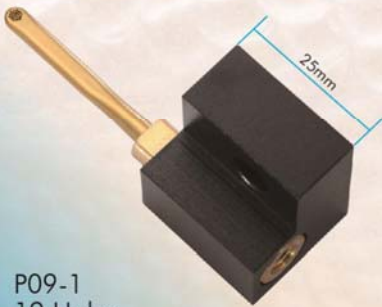
P05-1  
19 Holes  
Nitrogen Coating



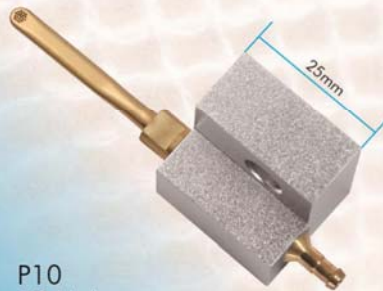
P08  
19 Holes



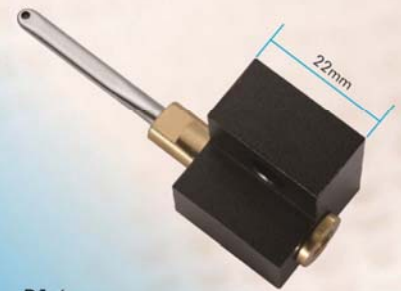
P09  
19 Holes



P09-1  
19 Holes



P10  
19 Holes



P14



JT108



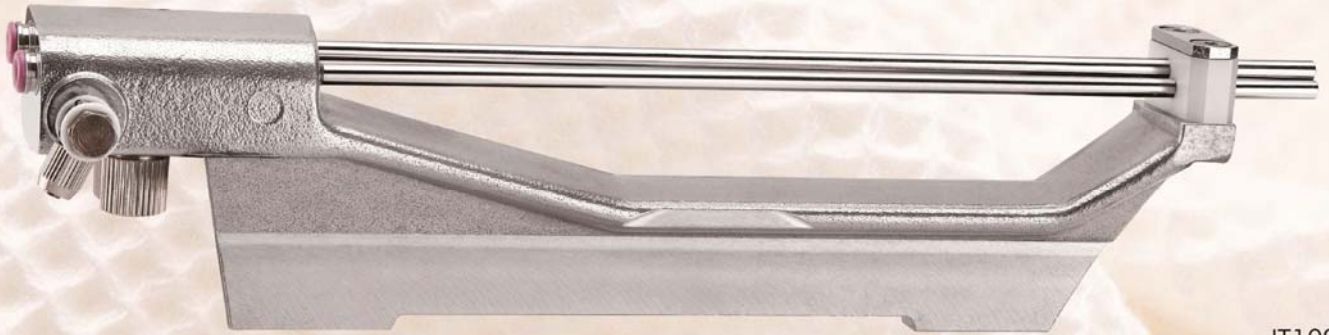
JT108E

## Mateu Export S.L.

C/ Bruc, 9 – 08241 MANRESA

Tel. +34938771199 – FAX: +34938771714

E-mail: [mateuexport@hotmail.com](mailto:mateuexport@hotmail.com) – [info@novateksilar.com](mailto:info@novateksilar.com)



JT109



JT109E



JT110-2C



JT108C



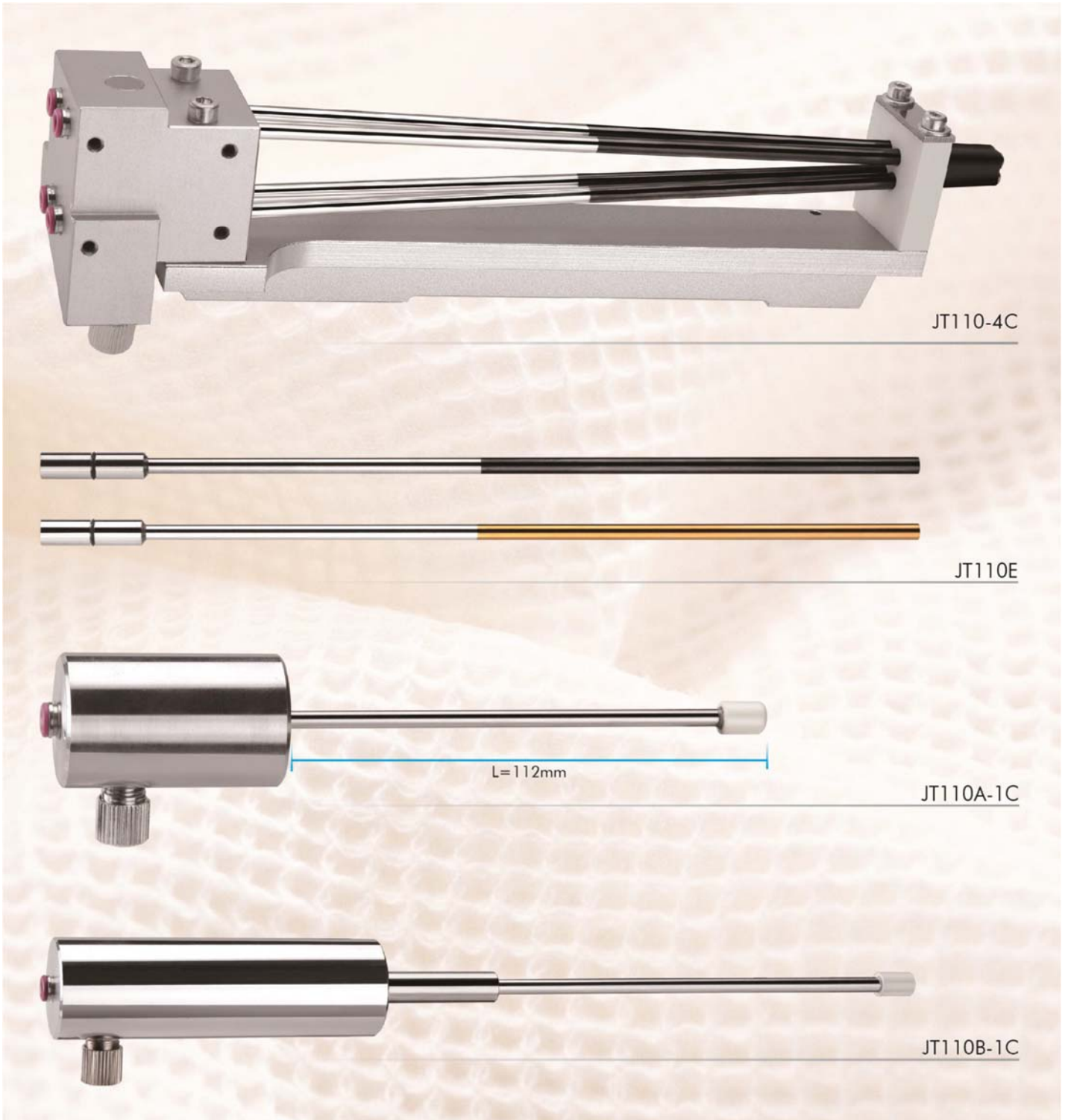
JT108D

## Mateu Export S.L.

C/ Bruc, 9 – 08241 MANRESA

Tel. +34938771199 – FAX: +34938771714

E-mail: [mateuexport@hotmail.com](mailto:mateuexport@hotmail.com) – [info@novateksilar.com](mailto:info@novateksilar.com)

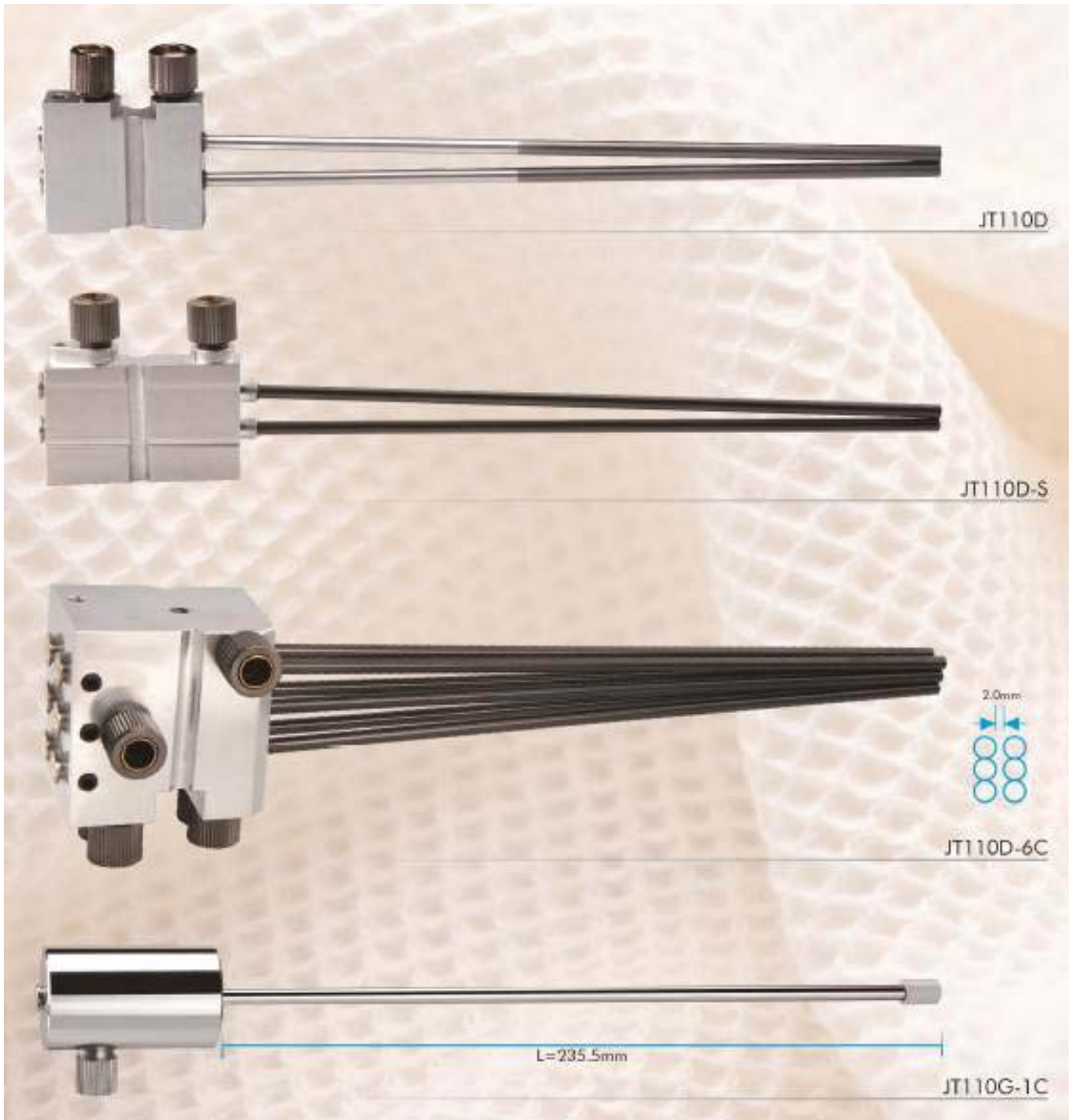


## Mateu Export S.L.

C/ Bruc, 9 – 08241 MANRESA

Tel. +34938771199 – FAX: +34938771714

E-mail: [mateuexport@hotmail.com](mailto:mateuexport@hotmail.com) – [info@novateksilar.com](mailto:info@novateksilar.com)



## Mateu Export S.L.

C/ Bruc, 9 – 08241 MANRESA

Tel. +34938771199 – FAX: +34938771714

E-mail: [mateuexport@hotmail.com](mailto:mateuexport@hotmail.com) – [info@novateksilar.com](mailto:info@novateksilar.com)



JT110A  $\Phi$ 1.5mm -  $\Phi$ 3.0mm



JT110B-A  $\Phi$ 1.5mm -  $\Phi$ 3.0mm



JT110B-B  $\Phi$ 1.5mm -  $\Phi$ 3.0mm  
OD = 8mm



JT110B-B  $\Phi$ 1.5mm -  $\Phi$ 3.0mm  
OD = 7mm



JT110B-C  $\Phi$ 1.5mm -  $\Phi$ 3.0mm



## Mateu Export S.L.

C/ Bruc, 9 – 08241 MANRESA

Tel. +34938771199 – FAX: +34938771714

E-mail: [mateuexport@hotmail.com](mailto:mateuexport@hotmail.com) – [info@novateksilar.com](mailto:info@novateksilar.com)



D01



D01B  
Nitrogen Coating



D01B  
42 Holes  
DLC



D04



D04B  
DLC



D04L  
DLC  
For L Machine



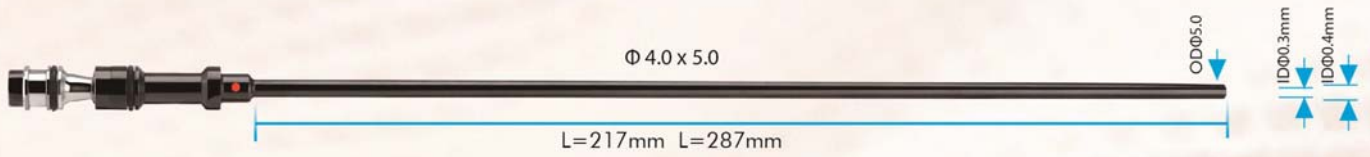
JT115-4C  
With bracket

## Mateu Export S.L.

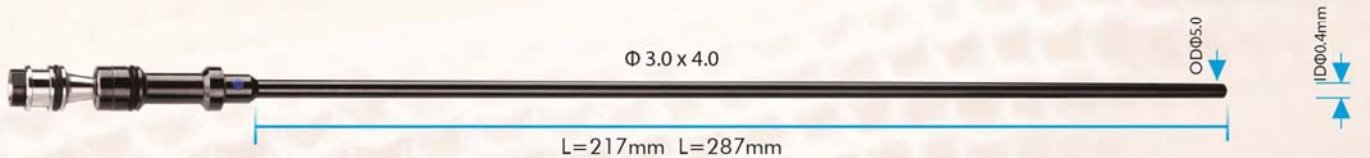
C/ Bruc, 9 – 08241 MANRESA

Tel. +34938771199 – FAX: +34938771714

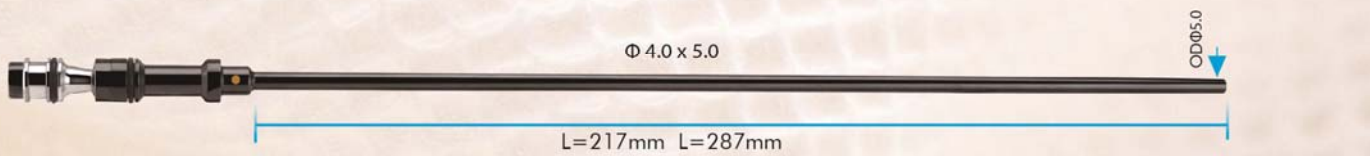
E-mail: [mateuexport@hotmail.com](mailto:mateuexport@hotmail.com) – [info@novateksilar.com](mailto:info@novateksilar.com)



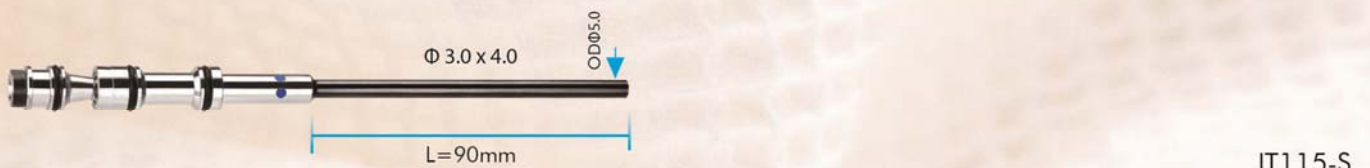
JT115 Red



JT115 Blue



JT115 Yellow



JT115-S



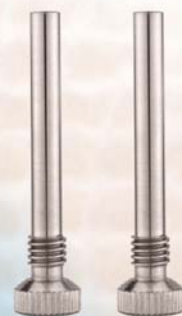
JT115-L



JT115-1  $\Phi 1.5\text{mm} - \Phi 3.0\text{mm}$



JT115-2  $\Phi 1.5\text{mm} - \Phi 2.0\text{mm}$   
JT115-3  $\Phi 1.5\text{mm}$



JT115-4  $\Phi 4.0\text{mm}$

## Mateu Export S.L.

C/ Bruc, 9 – 08241 MANRESA

Tel. +34938771199 – FAX: +34938771714

E-mail: [mateuexport@hotmail.com](mailto:mateuexport@hotmail.com) – [info@novateksilar.com](mailto:info@novateksilar.com)



TS01 M8



TS01-1  
Red Holder



TS02 M6



TS03



TS03A  
Titanium Coating



TS03  
9 Holes



TS03B  
DLC



TS03B  
42 Holes  
DLC



TS04  
Filament



TS04B  
Filament  
DLC



TS04B  
Filament With Block



TS05B  
Filament

## Mateu Export S.L.

C/ Bruc, 9 – 08241 MANRESA

Tel. +34938771199 – FAX: +34938771714

E-mail: [mateuexport@hotmail.com](mailto:mateuexport@hotmail.com) – [info@novateksilar.com](mailto:info@novateksilar.com)



TS05B  
Filament With Block  
DLC



TS03C  
19 Holes  
Titanium Coating



TS06  
Stretch Nozzle



TS07



TS08



TS09



TS10



E-REED  
NOZZLE



TS12-L



TS12-S



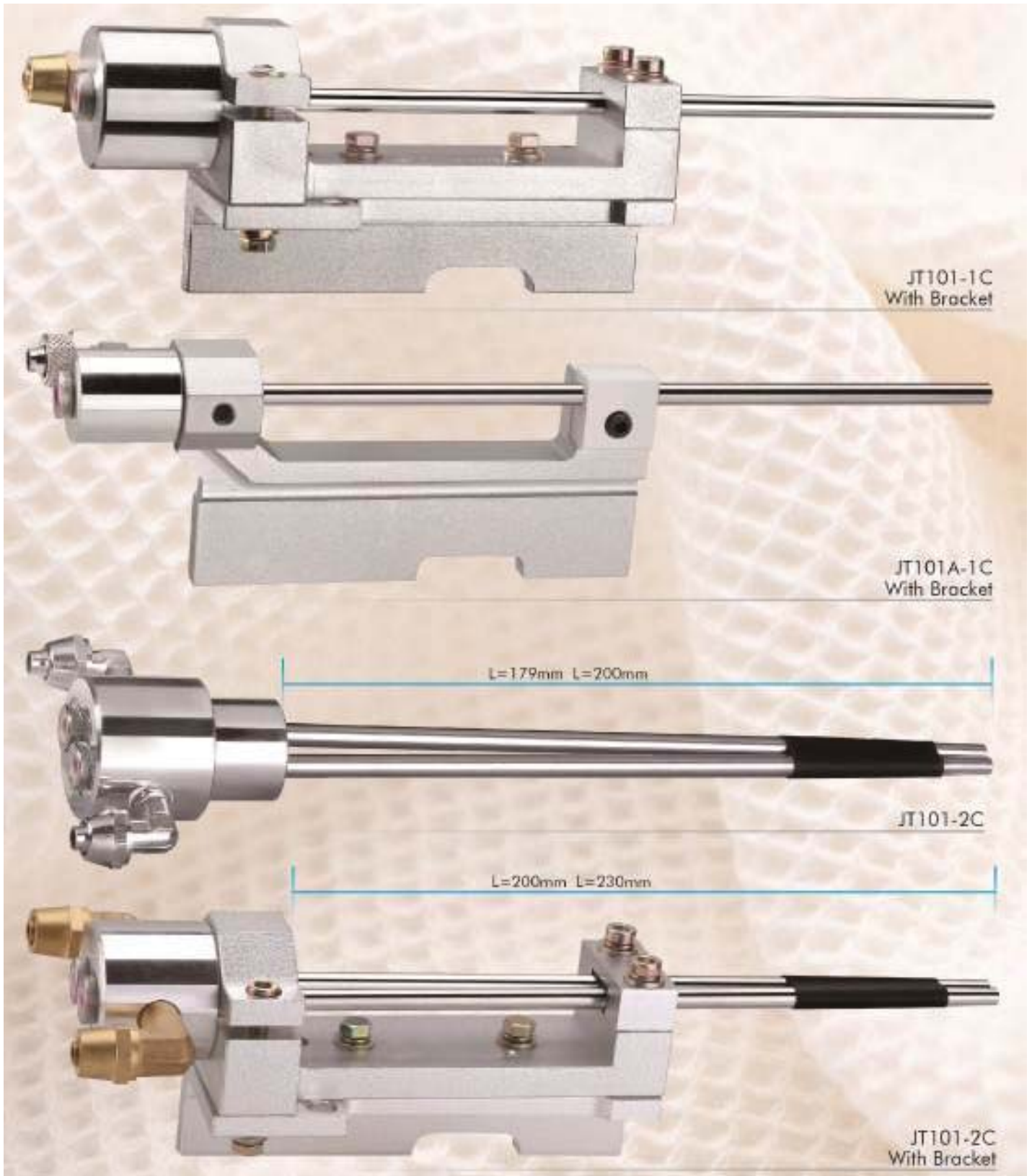
TS12B-L

## Mateu Export S.L.

C/ Bruc, 9 – 08241 MANRESA

Tel. +34938771199 – FAX: +34938771714

E-mail: [mateuexport@hotmail.com](mailto:mateuexport@hotmail.com) – [info@novateksilar.com](mailto:info@novateksilar.com)



## Mateu Export S.L.

C/ Bruc, 9 – 08241 MANRESA

Tel. +34938771199 – FAX: +34938771714

E-mail: [mateuexport@hotmail.com](mailto:mateuexport@hotmail.com) – [info@novateksilar.com](mailto:info@novateksilar.com)

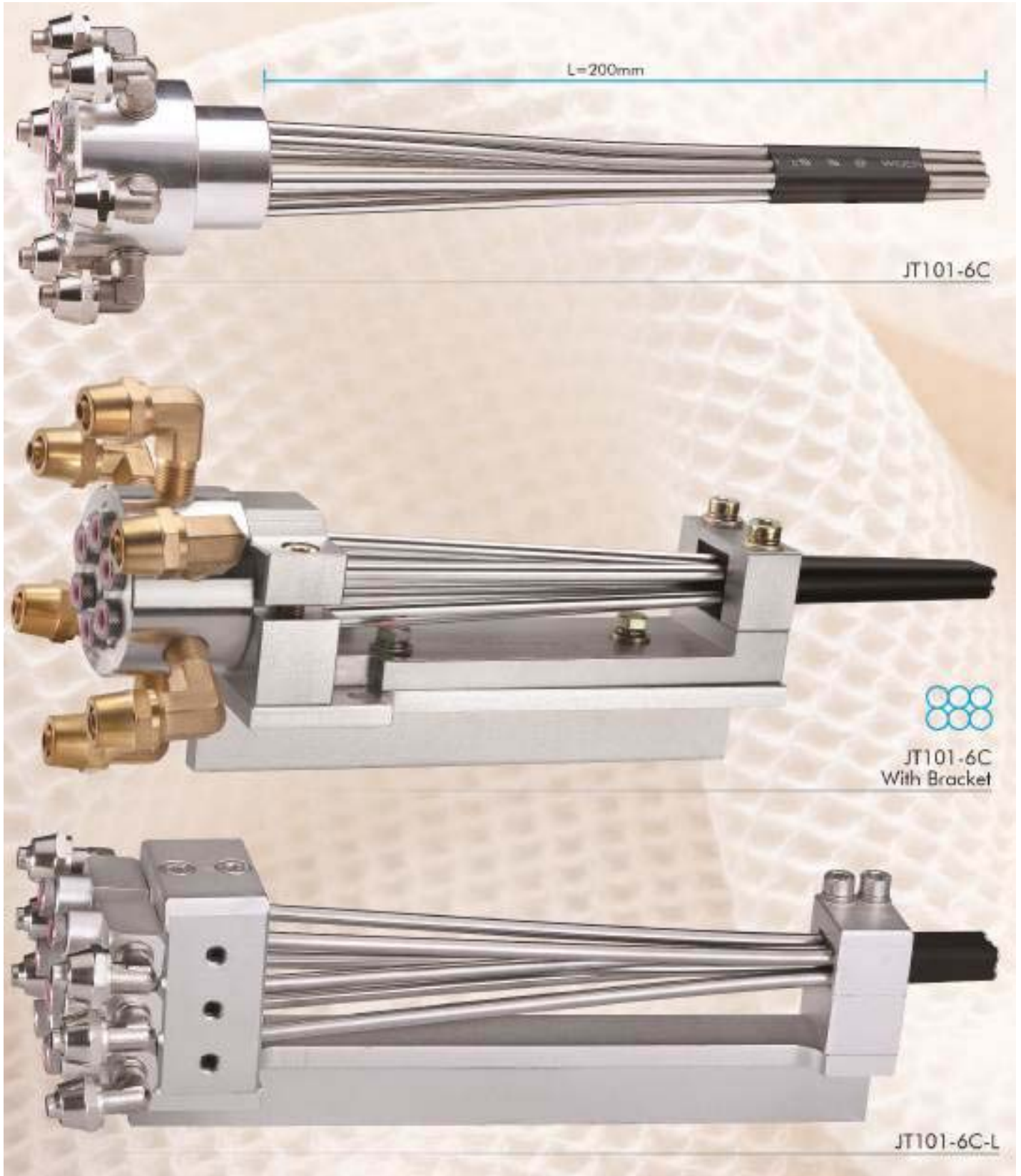


## Mateu Export S.L.

C/ Bruc, 9 – 08241 MANRESA

Tel. +34938771199 – FAX: +34938771714

E-mail: [mateuexport@hotmail.com](mailto:mateuexport@hotmail.com) – [info@novateksilar.com](mailto:info@novateksilar.com)



## Mateu Export S.L.

C/ Bruc, 9 – 08241 MANRESA

Tel. +34938771199 – FAX: +34938771714

E-mail: [mateuexport@hotmail.com](mailto:mateuexport@hotmail.com) – [info@novateksilar.com](mailto:info@novateksilar.com)

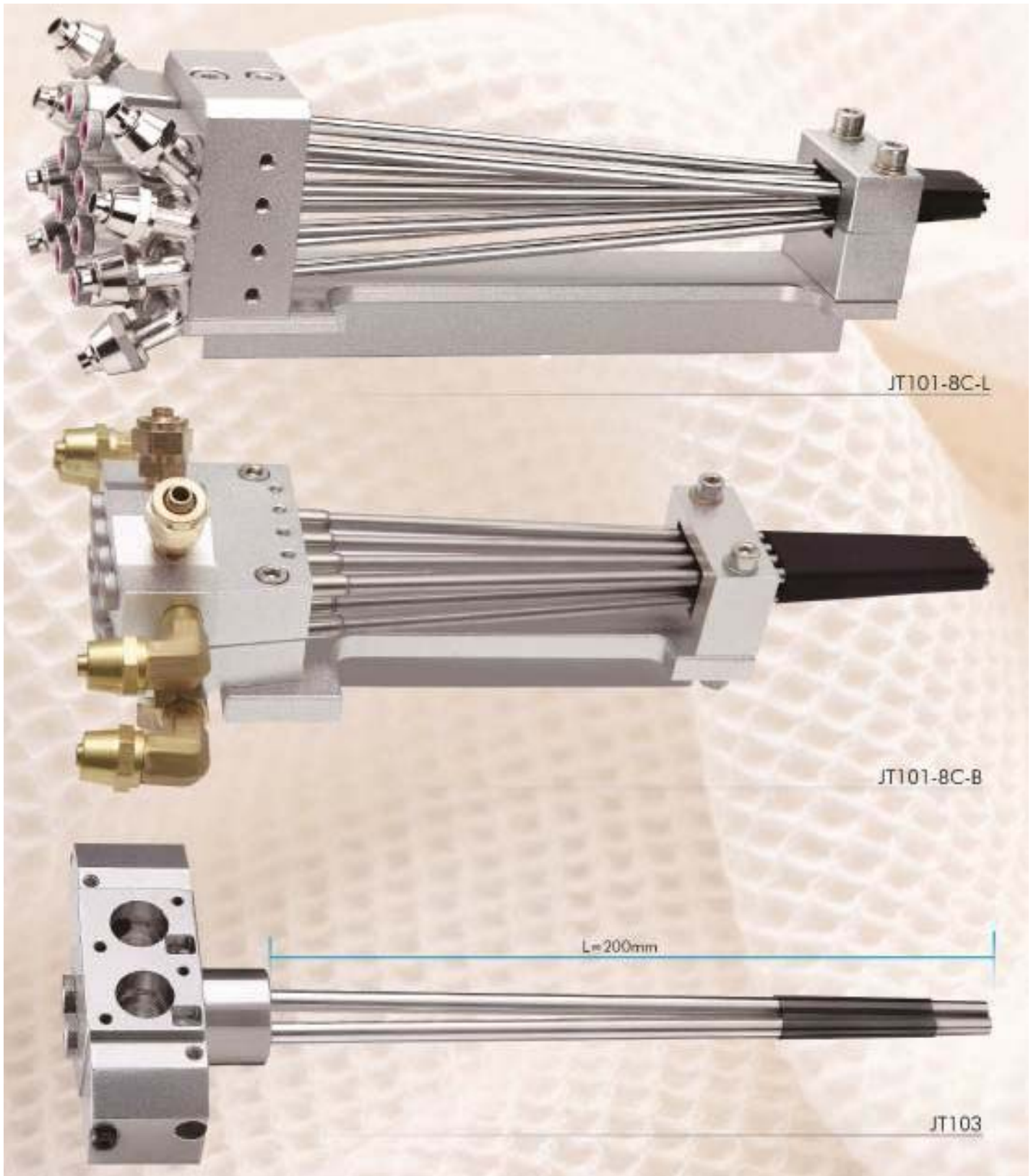


**Mateu Export S.L.**

C/ Bruc, 9 – 08241 MANRESA

Tel. +34938771199 – FAX: +34938771714

E-mail: [mateuexport@hotmail.com](mailto:mateuexport@hotmail.com) – [info@novateksilar.com](mailto:info@novateksilar.com)

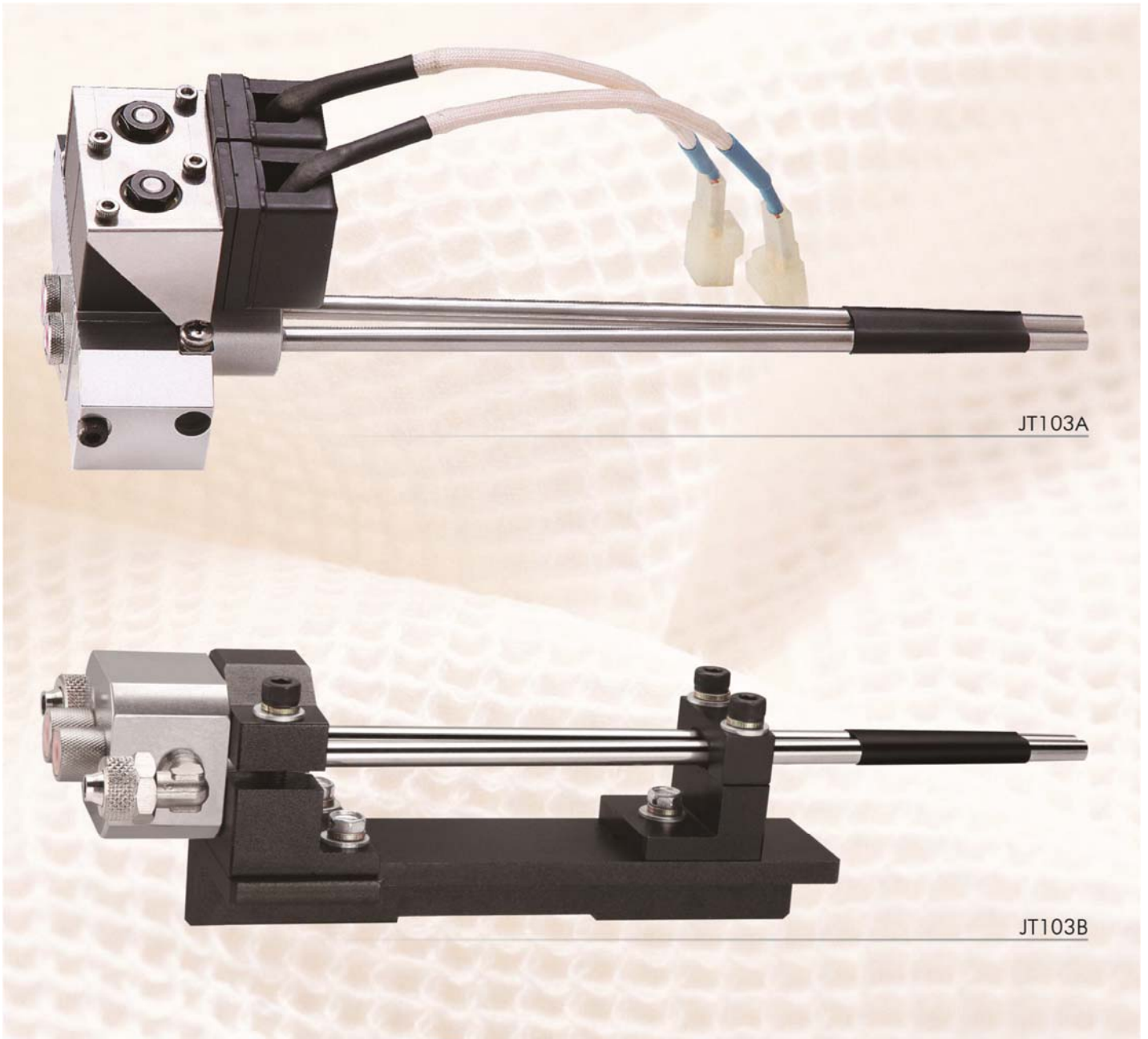


## Mateu Export S.L.

C/ Bruc, 9 – 08241 MANRESA

Tel. +34938771199 – FAX: +34938771714

E-mail: [mateuexport@hotmail.com](mailto:mateuexport@hotmail.com) – [info@novateksilar.com](mailto:info@novateksilar.com)



JT103A

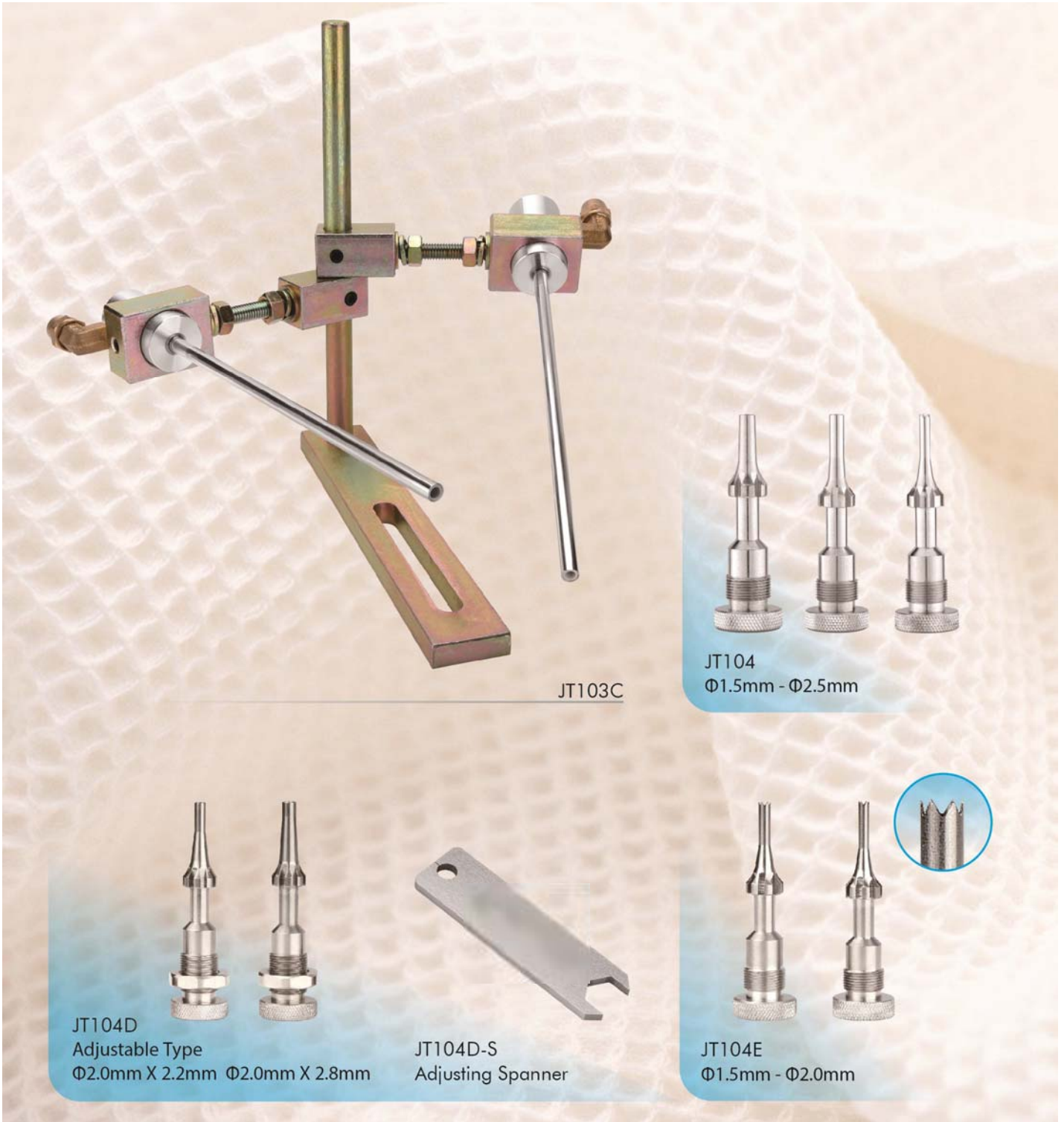
JT103B

## **Mateu Export S.L.**

C/ Bruc, 9 – 08241 MANRESA

Tel. +34938771199 – FAX: +34938771714

E-mail: [mateuexport@hotmail.com](mailto:mateuexport@hotmail.com) – [info@novateksilar.com](mailto:info@novateksilar.com)



JT103C

JT104  
 $\Phi$ 1.5mm -  $\Phi$ 2.5mm

JT104D  
 Adjustable Type  
 $\Phi$ 2.0mm X 2.2mm  $\Phi$ 2.0mm X 2.8mm

JT104D-S  
 Adjusting Spanner

JT104E  
 $\Phi$ 1.5mm -  $\Phi$ 2.0mm



TY01  
19 Holes  
Titanium Coating



TY01B  
19 Holes  
DLC



TY02  
Titanium Coating



TY04  
Filament



TY04  
Rightward Hole  
(Cone-Shaped)



TY04B  
Rightward Hole  
DLC



TY05B



TY05B  
With Block



TY05B-E



TY06



TY07



TY08

## Mateu Export S.L.

C/ Bruc, 9 – 08241 MANRESA

Tel. +34938771199 – FAX: +34938771714

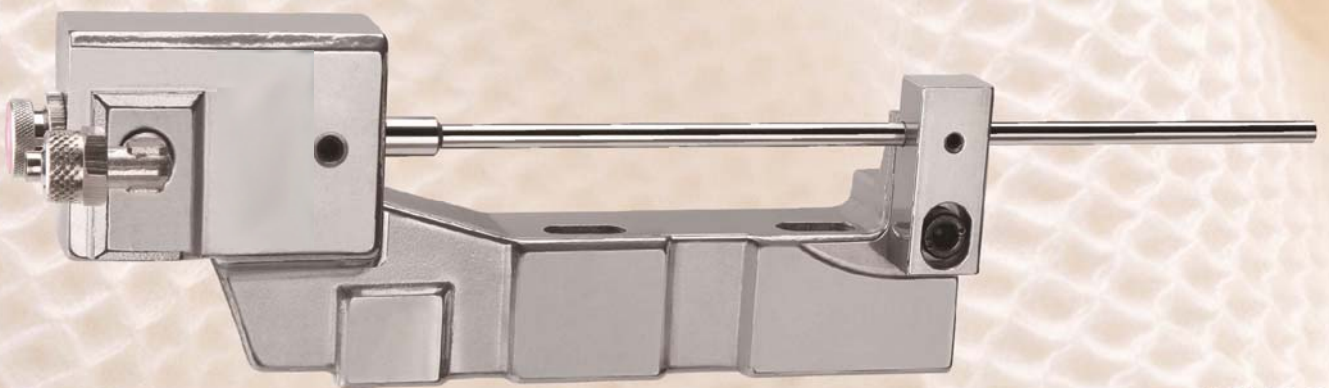
E-mail: [mateuexport@hotmail.com](mailto:mateuexport@hotmail.com) – [info@novateksilar.com](mailto:info@novateksilar.com)



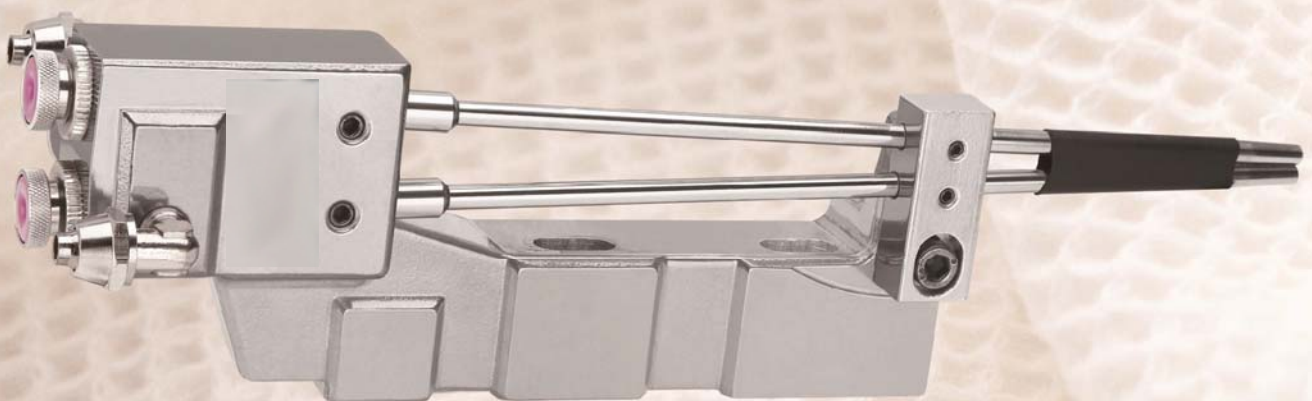
TY10



JT113  $\Phi$ 1.5mm -  $\Phi$ 2.5mm



JT112-1C



JT112-2C

## Mateu Export S.L.

C/ Bruc, 9 – 08241 MANRESA

Tel. +34938771199 – FAX: +34938771714

E-mail: [mateuexport@hotmail.com](mailto:mateuexport@hotmail.com) – [info@novateksilar.com](mailto:info@novateksilar.com)



## **Mateu Export S.L.**

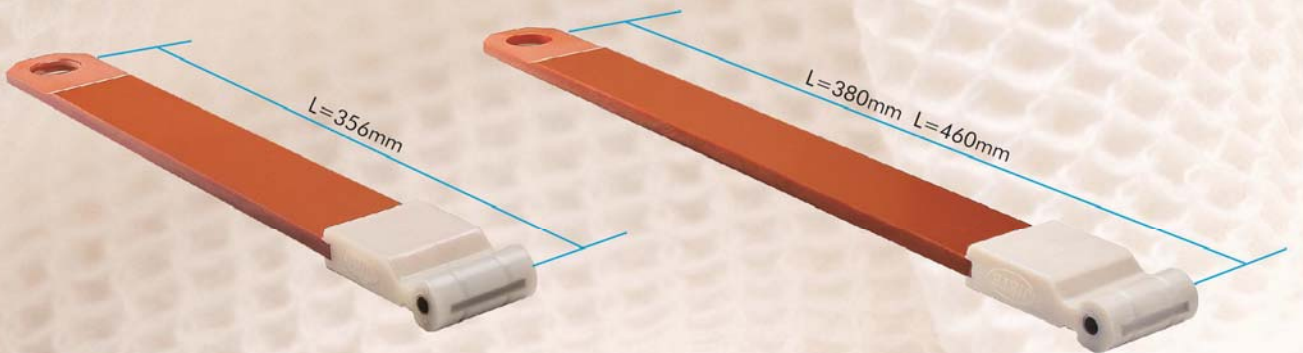
C/ Bruc, 9 – 08241 MANRESA

Tel. +34938771199 – FAX: +34938771714

E-mail: [mateuexport@hotmail.com](mailto:mateuexport@hotmail.com) – [info@novateksilar.com](mailto:info@novateksilar.com)



JT112-8C



TY12-S

TY12-L

## Mateu Export S.L.

C/ Bruc, 9 – 08241 MANRESA

Tel. +34938771199 – FAX: +34938771714

E-mail: [mateuexport@hotmail.com](mailto:mateuexport@hotmail.com) – [info@novateksilar.com](mailto:info@novateksilar.com)

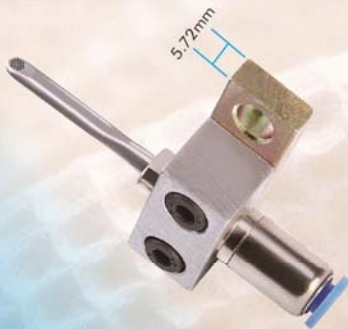


## Mateu Export S.L.

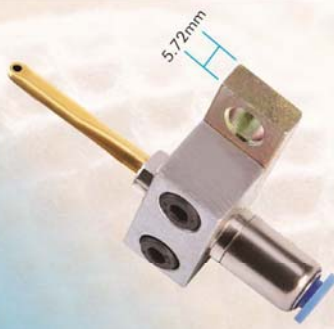
C/ Bruc, 9 – 08241 MANRESA

Tel. +34938771199 – FAX: +34938771714

E-mail: [mateuexport@hotmail.com](mailto:mateuexport@hotmail.com) – [info@novateksilar.com](mailto:info@novateksilar.com)



SMT01  
19 Holes



SMT02



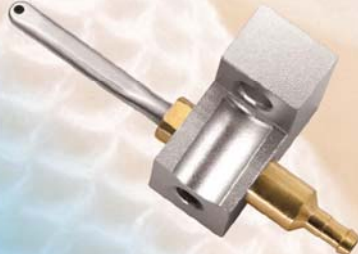
SMT03  
19 Holes



SMT04  
19 Holes  
Nitrogen Coating



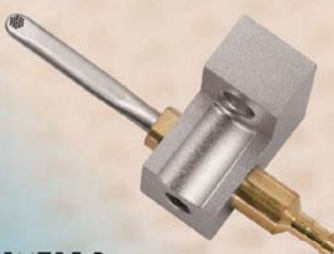
SMT04  
37 Holes  
Titanium Coating



SMT05-单孔氮化  
Nitrogen Coating



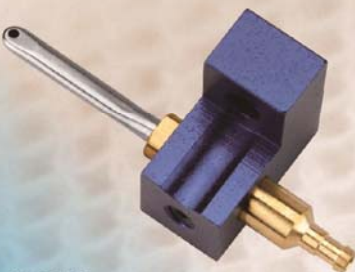
SMT05  
19 Holes  
Titanium Coating



SMT05 B  
19 Holes  
Nitrogen Coating



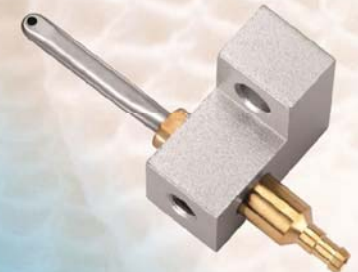
SMT05  
37 Holes  
Titanium Coating



SMT05  
Suitable for Itema



SMT05B  
19 Holes  
Nitrogen Coating



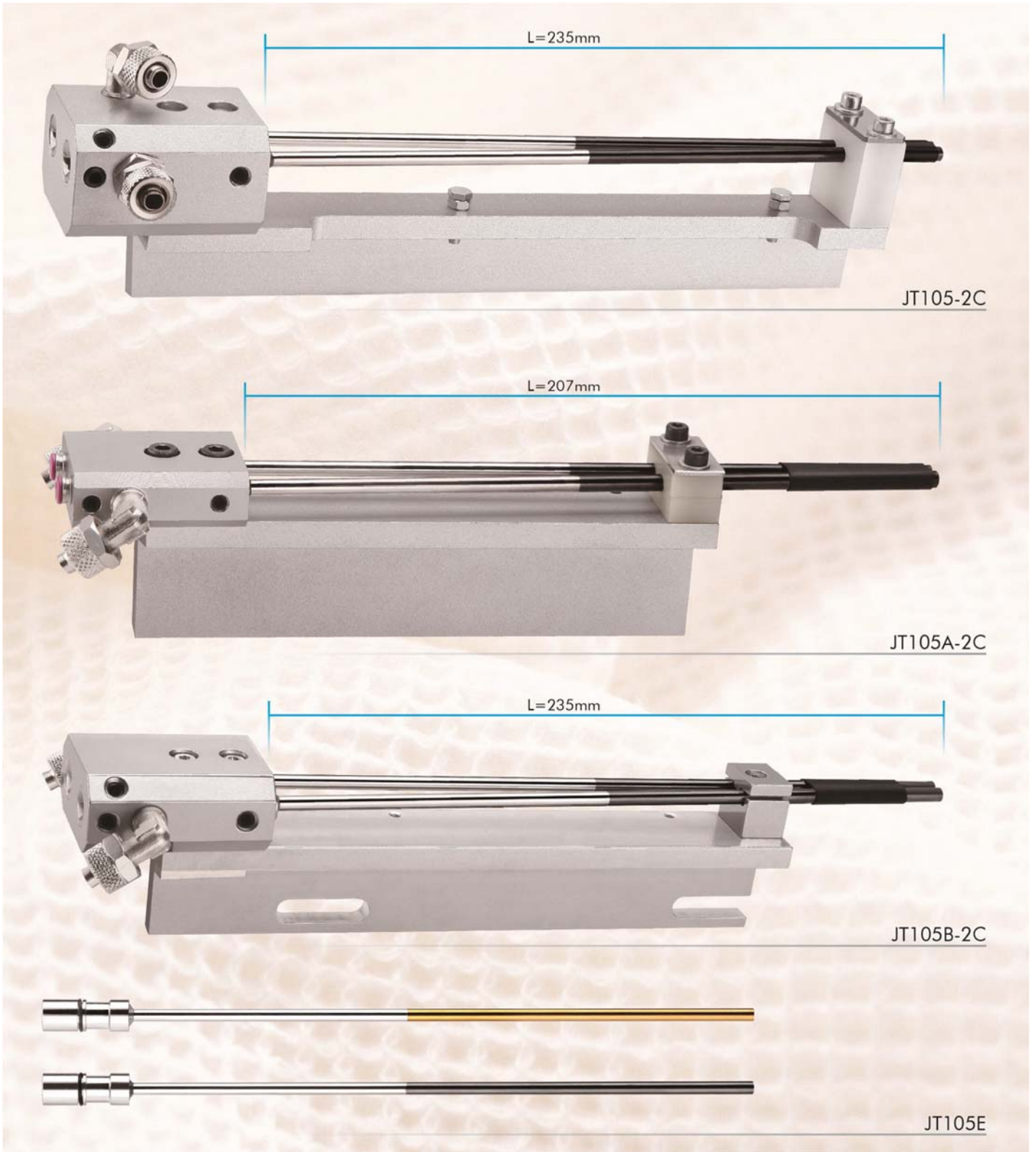
SMT06 B

## Mateu Export S.L.

C/ Bruc, 9 – 08241 MANRESA

Tel. +34938771199 – FAX: +34938771714

E-mail: [mateuexport@hotmail.com](mailto:mateuexport@hotmail.com) – [info@novateksilar.com](mailto:info@novateksilar.com)

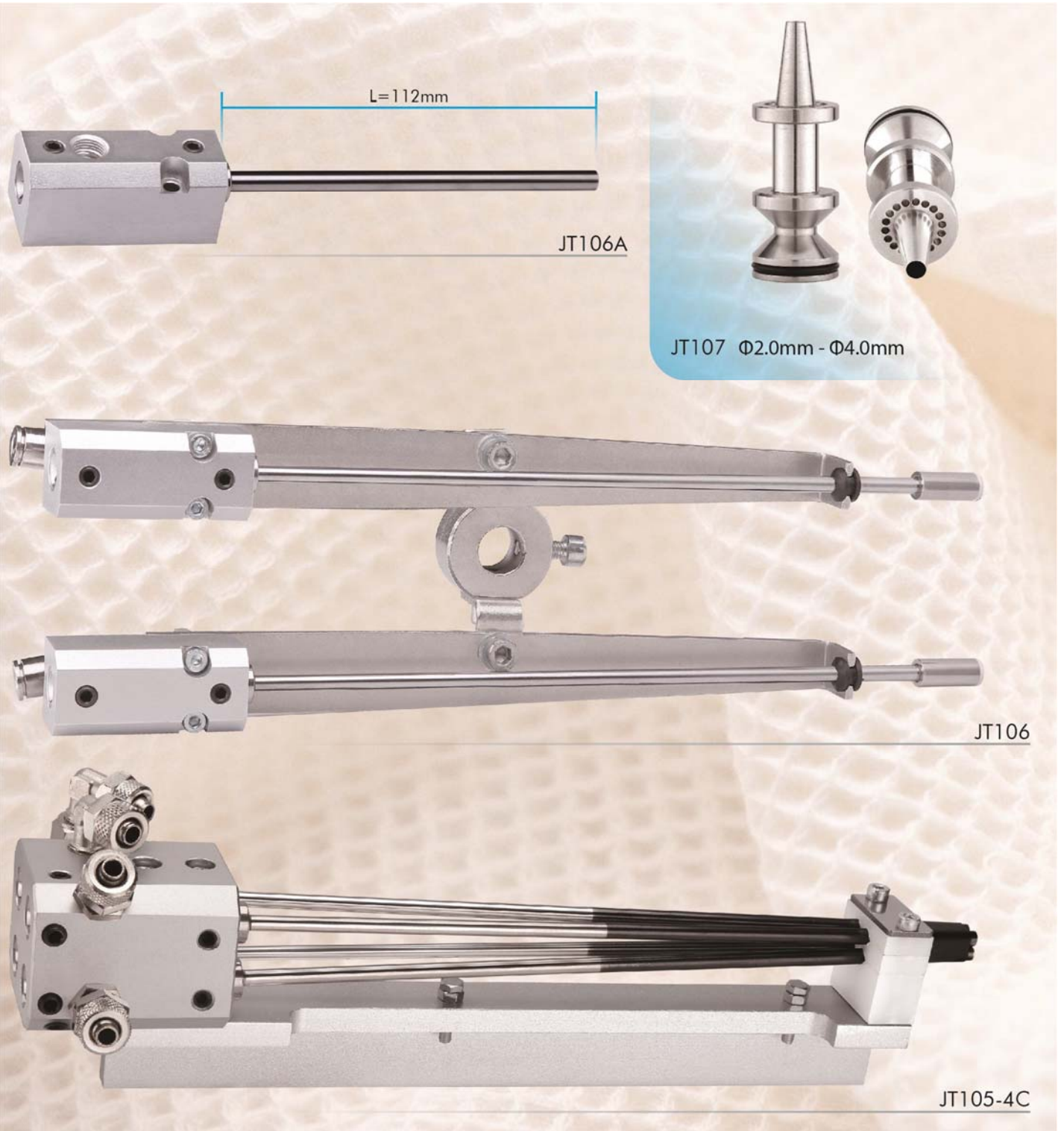


## Mateu Export S.L.

C/ Bruc, 9 – 08241 MANRESA

Tel. +34938771199 – FAX: +34938771714

E-mail: [mateuexport@hotmail.com](mailto:mateuexport@hotmail.com) – [info@novateksilar.com](mailto:info@novateksilar.com)



## Mateu Export S.L.

C/ Bruc, 9 – 08241 MANRESA

Tel. +34938771199 – FAX: +34938771714

E-mail: [mateuexport@hotmail.com](mailto:mateuexport@hotmail.com) – [info@novateksilar.com](mailto:info@novateksilar.com)



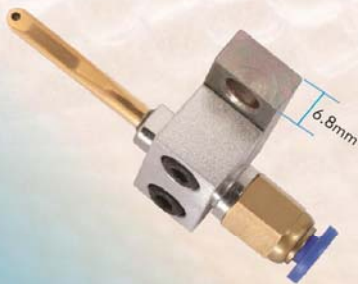
N01  
19 Holes  
DLC



N01  
Nitrogen Coating



N04



N05



N05B



N05B  
Without Block



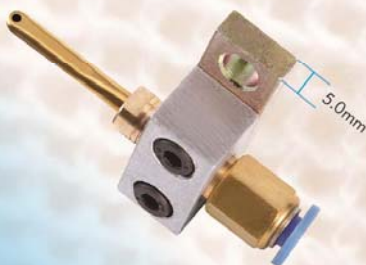
N06  
Titanium Coating



N07  
9 Holes



N08



N10



JT114F  $\Phi 1.5\text{mm}-\Phi 2.5\text{mm}$   
JT114H  $\Phi 1.5\text{mm}-\Phi 3.0\text{mm}$



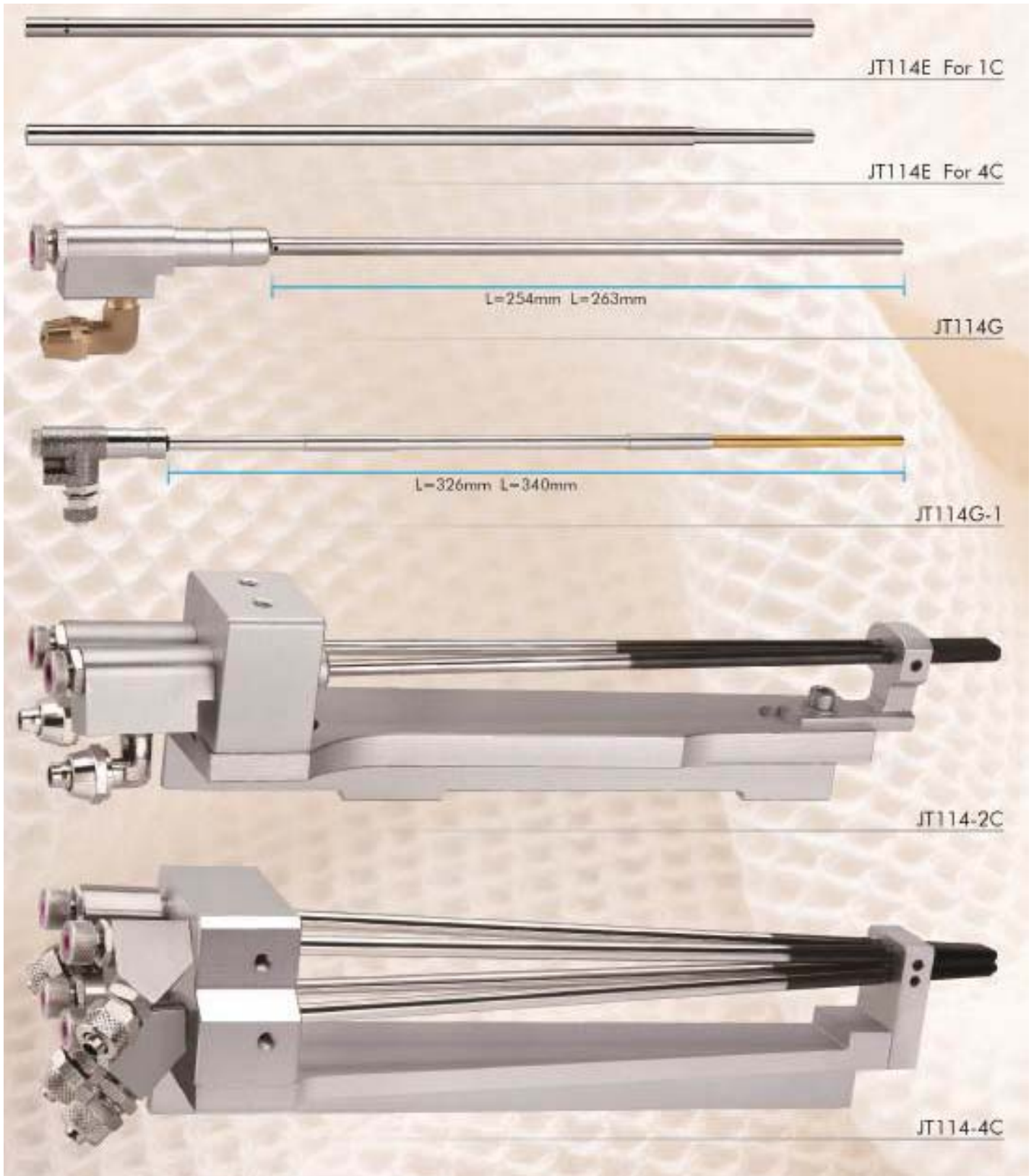
JT194

## Mateu Export S.L.

C/ Bruc, 9 – 08241 MANRESA

Tel. +34938771199 – FAX: +34938771714

E-mail: [mateuexport@hotmail.com](mailto:mateuexport@hotmail.com) – [info@novateksilar.com](mailto:info@novateksilar.com)

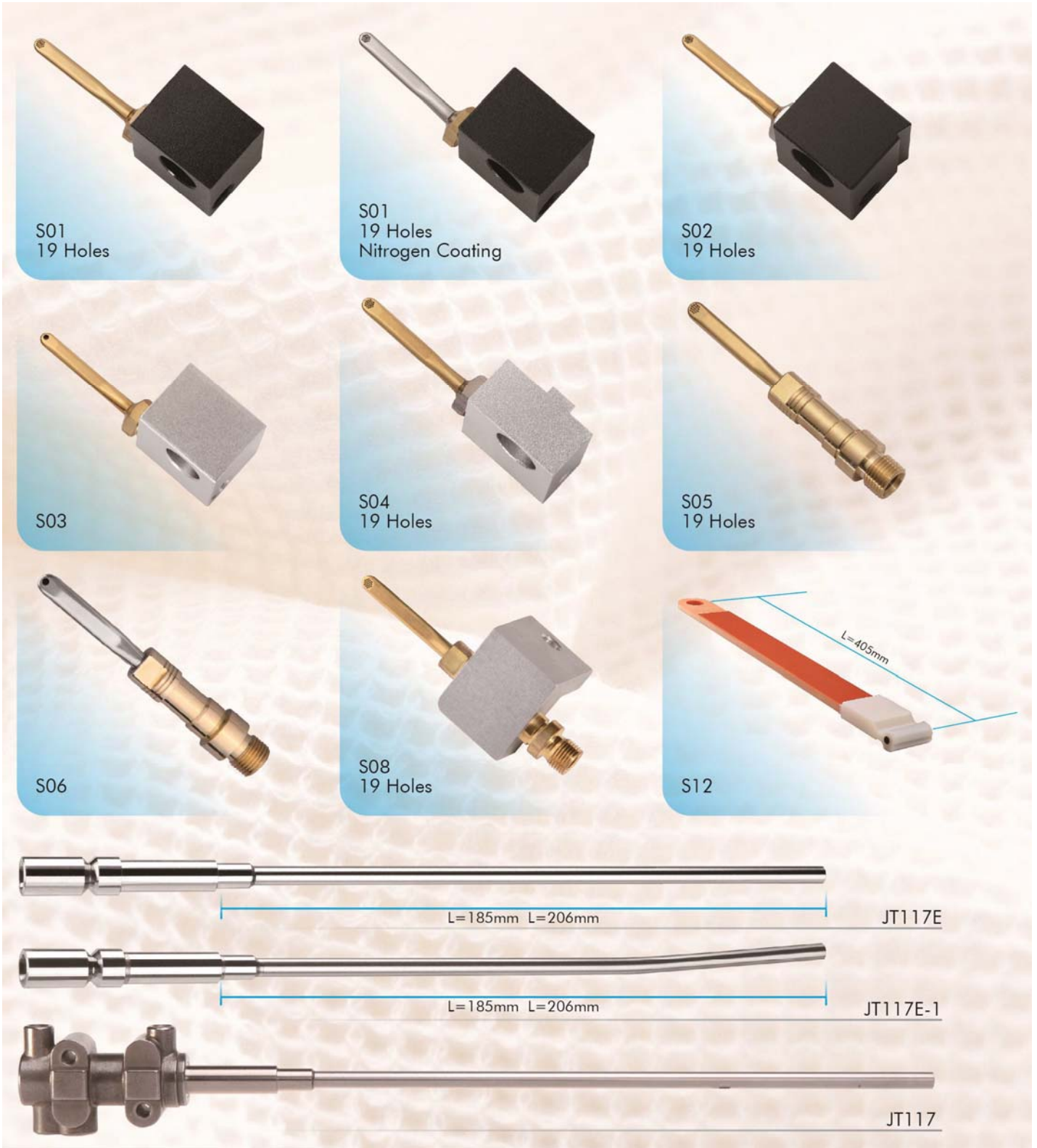


## Mateu Export S.L.

C/ Bruc, 9 – 08241 MANRESA

Tel. +34938771199 – FAX: +34938771714

E-mail: [mateuexport@hotmail.com](mailto:mateuexport@hotmail.com) – [info@novateksilar.com](mailto:info@novateksilar.com)



**Mateu Export S.L.**

C/ Bruc, 9 – 08241 MANRESA

Tel. +34938771199 – FAX: +34938771714

E-mail: [mateuexport@hotmail.com](mailto:mateuexport@hotmail.com) – [info@novateksilar.com](mailto:info@novateksilar.com)



G01  
For Wamatex



G02  
19 Holes  
For Wamatex



J01  
For Jiette



J02  
19 Holes  
For Jiette



G03  
For Gunne



G04  
19 Holes  
For Gunne



M01  
19 Holes Straight  
For Mueller



M01  
7 Holes Straight  
For Mueller



M02  
19 Holes Curving  
For Mueller



M02  
7 Holes Curving  
For Mueller



M03  
19 Holes Straight



M03  
7 Holes  
DLC

## Mateu Export S.L.

C/ Bruc, 9 – 08241 MANRESA

Tel. +34938771199 – FAX: +34938771714

E-mail: [mateuexport@hotmail.com](mailto:mateuexport@hotmail.com) – [info@novateksilar.com](mailto:info@novateksilar.com)

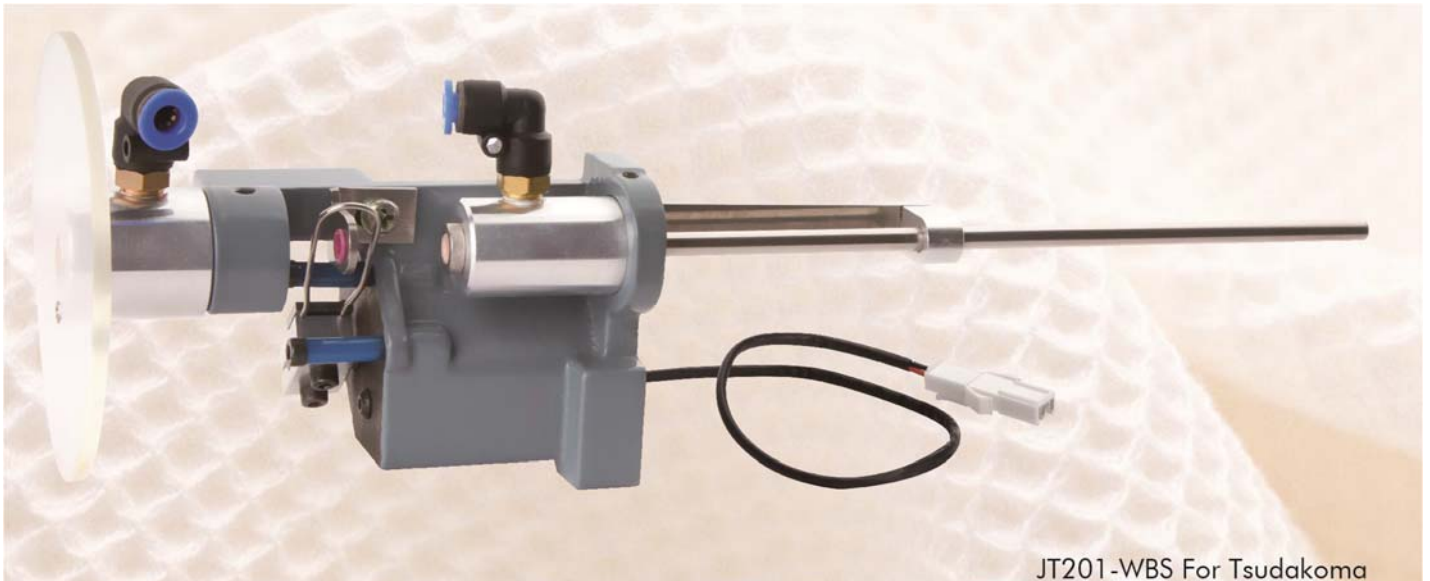


**Mateu Export S.L.**

C/ Bruc, 9 – 08241 MANRESA

Tel. +34938771199 – FAX: +34938771714

E-mail: [mateuexport@hotmail.com](mailto:mateuexport@hotmail.com) – [info@novateksilar.com](mailto:info@novateksilar.com)



JT201 -WBS For Tsudakoma



JT801



JT802



JT804



JT805



JT820



JT870-1  
Two dents

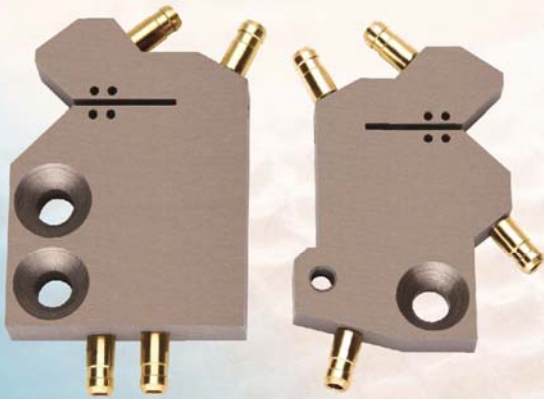
JT870-2  
Five dents

## Mateu Export S.L.

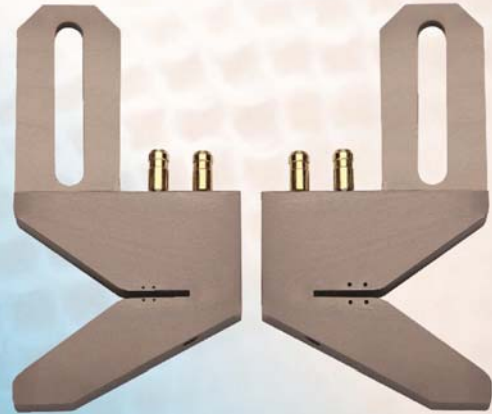
C/ Bruc, 9 – 08241 MANRESA

Tel. +34938771199 – FAX: +34938771714

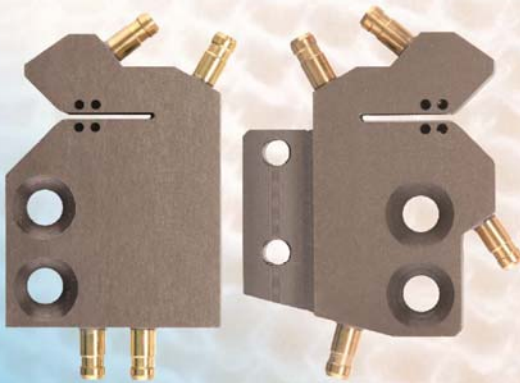
E-mail: [mateuexport@hotmail.com](mailto:mateuexport@hotmail.com) – [info@novateksilar.com](mailto:info@novateksilar.com)



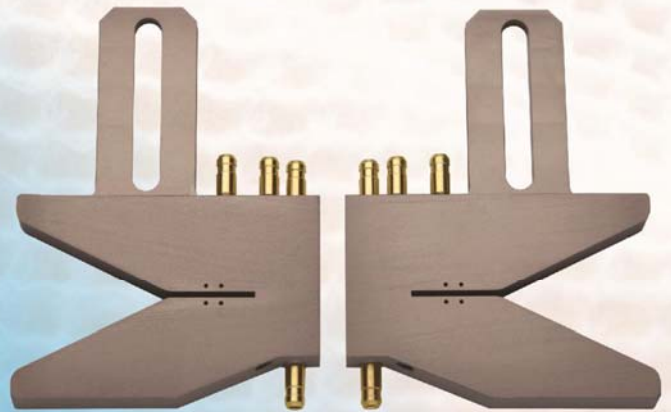
TS13  $\delta = 9\text{mm}$   
TS13-A  $\delta = 5\text{mm}$



TS14  
 $\delta = 6\text{mm}$



TS15  
 $\delta = 9\text{mm}$



TY12  
 $\delta = 7\text{mm}$

## Mateu Export S.L.

C/ Bruc, 9 – 08241 MANRESA

Tel. +34938771199 – FAX: +34938771714

E-mail: [mateuexport@hotmail.com](mailto:mateuexport@hotmail.com) – [info@novateksilar.com](mailto:info@novateksilar.com)



JT-2  
Sub Nozzle Testing Device

## **Mateu Export S.L.**

C/ Bruc, 9 – 08241 MANRESA

Tel. +34938771199 – FAX: +34938771714

E-mail: [mateuexport@hotmail.com](mailto:mateuexport@hotmail.com) – [info@novateksilar.com](mailto:info@novateksilar.com)